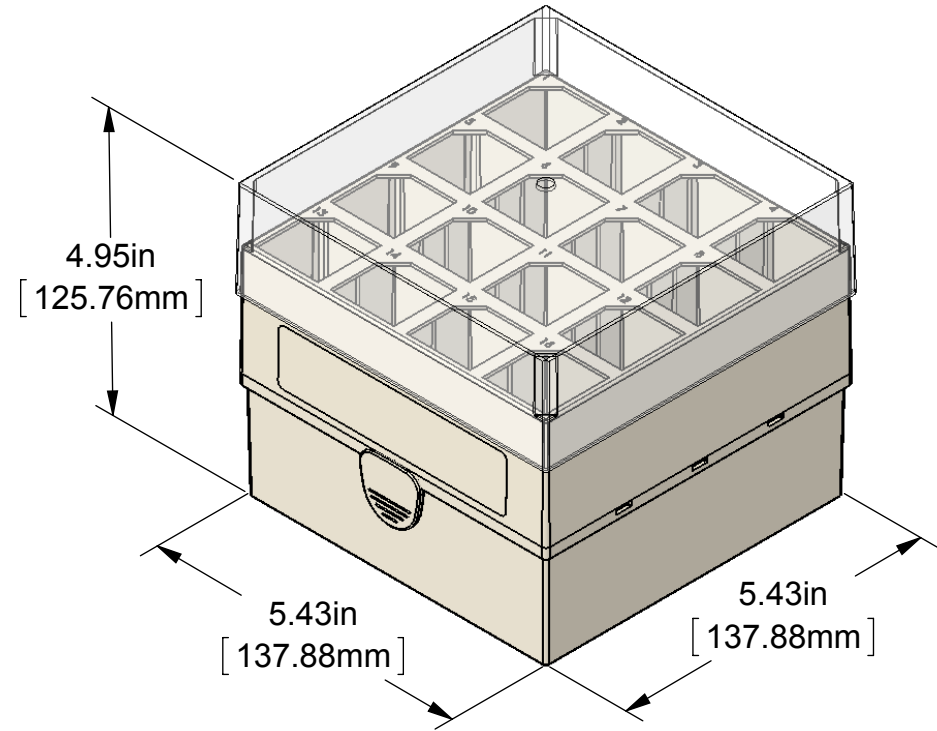
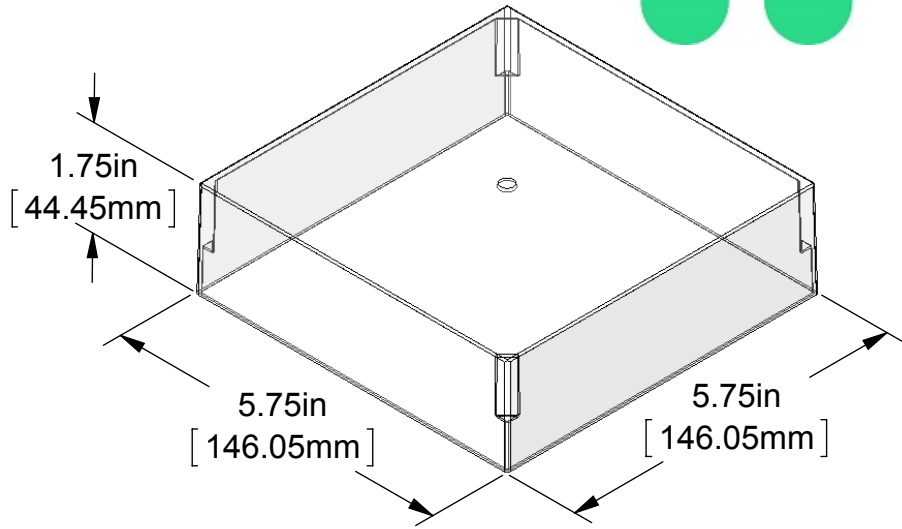
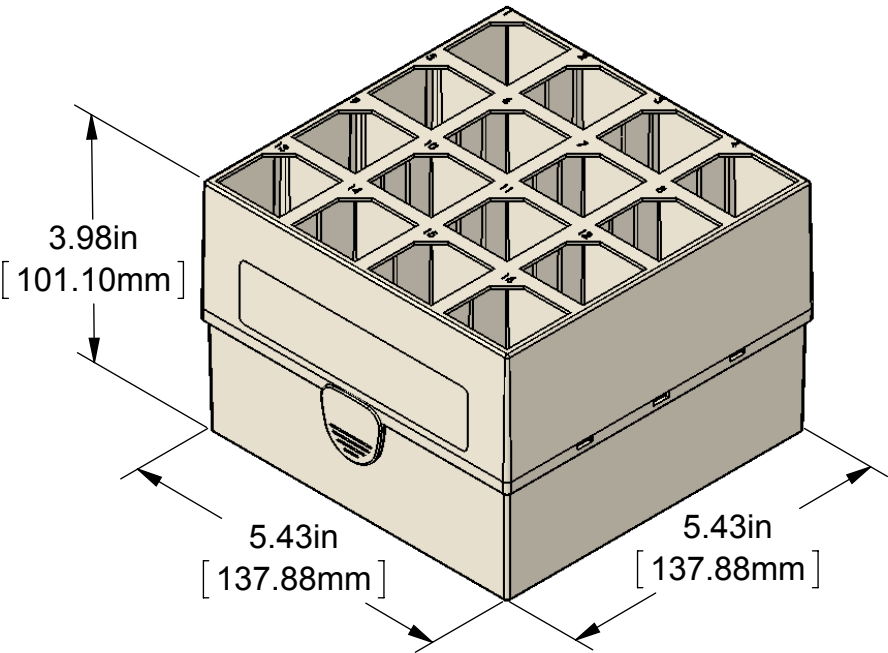




**westburg**  
LIFE SCIENCES



**50mL TUBE RACK  
(CLOSED)**



**WB 8311 16-PLACE 50mL STORAGE BOX**

Arnhemseweg 87  
3832 GK Leusden  
The Netherlands

P.O. Box 214  
3830 AE Leusden  
The Netherlands

+31 33 495 0094  
info@westburg.eu  
www.westburg.eu

IBAN NL78RABO0168460297  
NL005049532B01  
KvK 31024246

